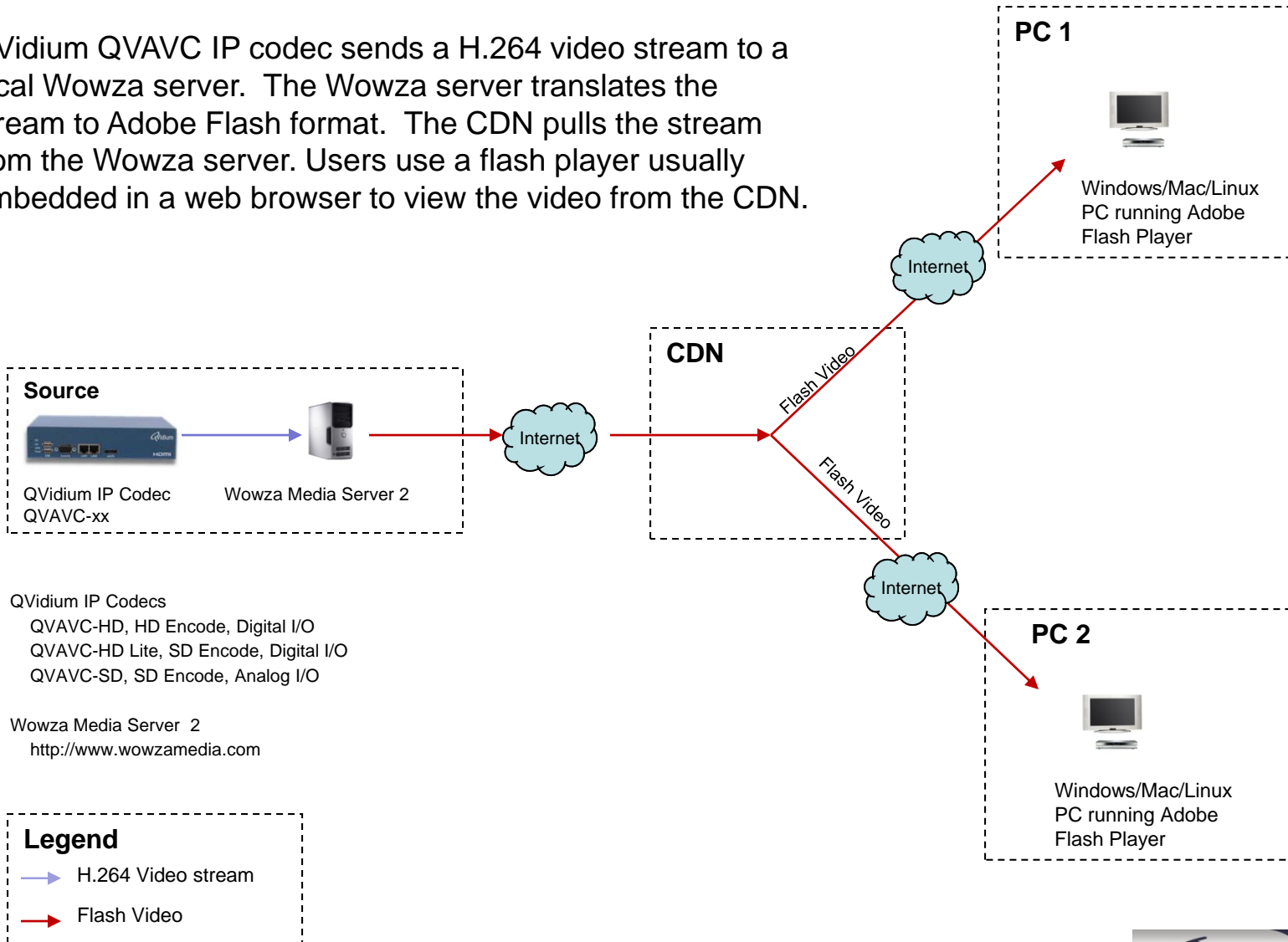


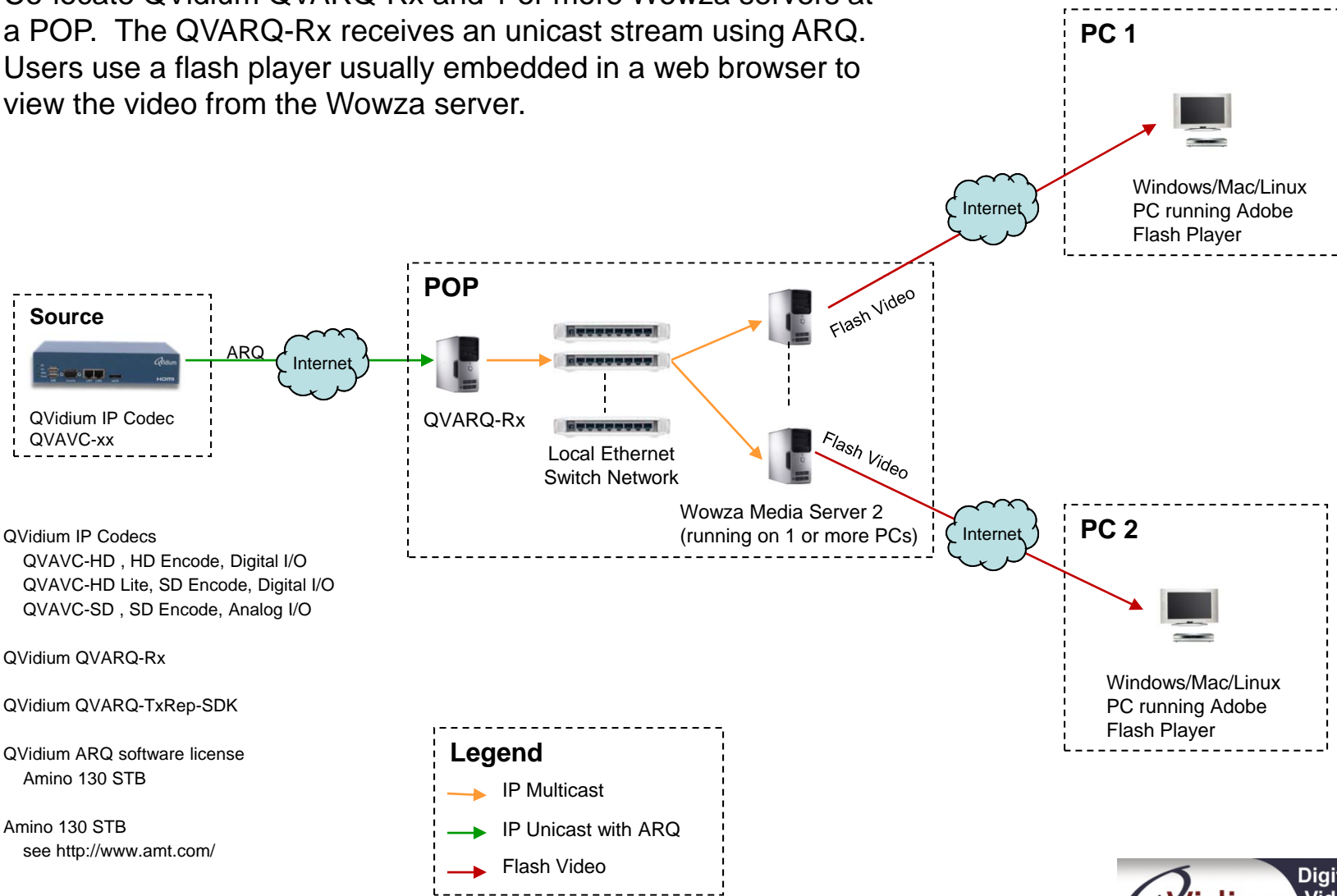
QVidium Flash CDN Example

QVidium QVAVC IP codec sends a H.264 video stream to a local Wowza server. The Wowza server translates the stream to Adobe Flash format. The CDN pulls the stream from the Wowza server. Users use a flash player usually embedded in a web browser to view the video from the CDN.



QVidium Flash Media Example

Co-locate QVidium QVARQ-Rx and 1 or more Wowza servers at a POP. The QVARQ-Rx receives an unicast stream using ARQ. Users use a flash player usually embedded in a web browser to view the video from the Wowza server.



QVidium IP Codecs
 QVAVC-HD , HD Encode, Digital I/O
 QVAVC-HD Lite, SD Encode, Digital I/O
 QVAVC-SD , SD Encode, Analog I/O

QVidium QVARQ-Rx

QVidium QVARQ-TxRep-SDK

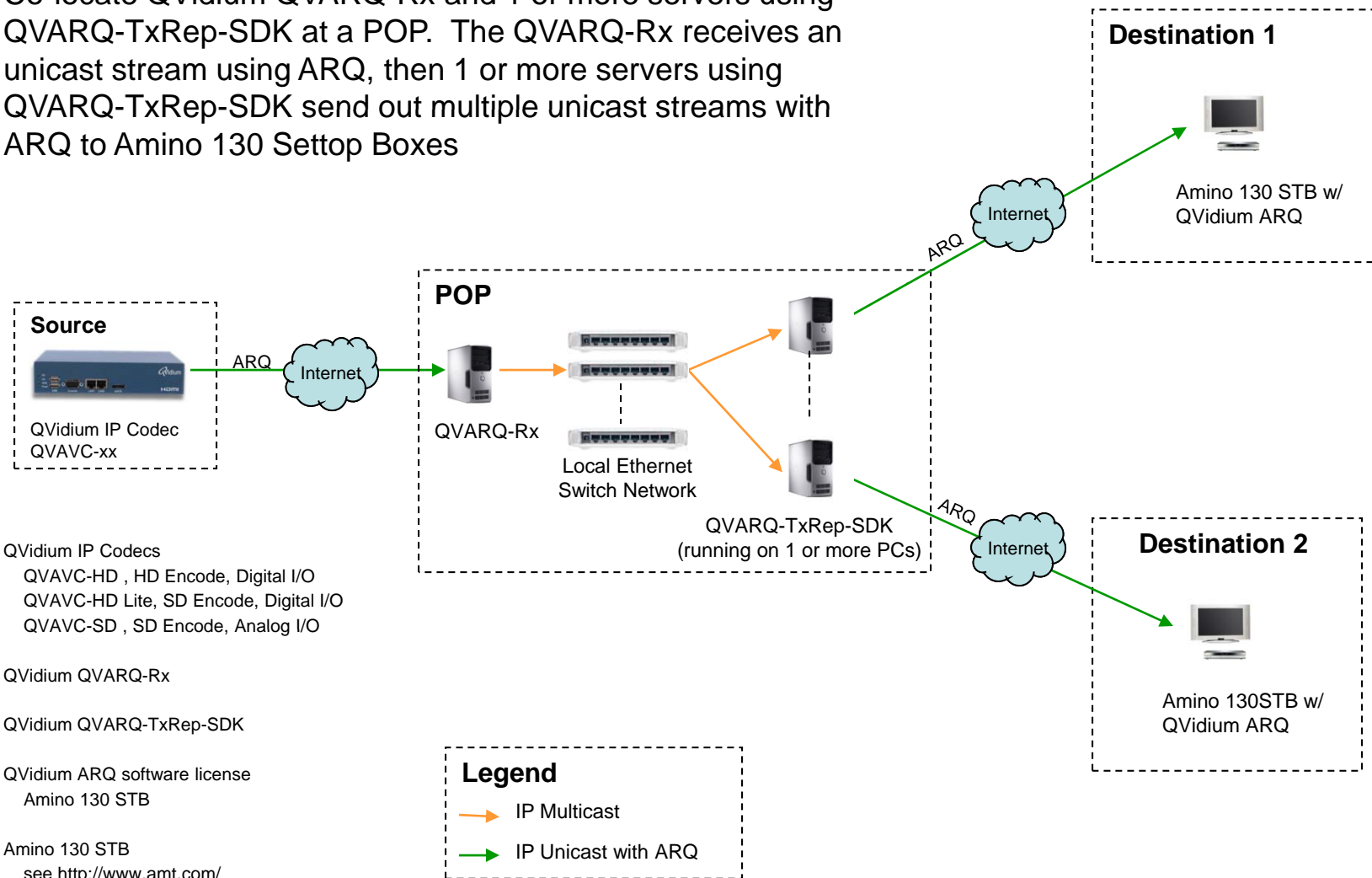
QVidium ARQ software license
 Amino 130 STB

Amino 130 STB
 see <http://www.amt.com/>



QVidium IPTV Over The Internet

Co-locate QVidium QVARQ-Rx and 1 or more servers using QVARQ-TxRep-SDK at a POP. The QVARQ-Rx receives an unicast stream using ARQ, then 1 or more servers using QVARQ-TxRep-SDK send out multiple unicast streams with ARQ to Amino 130 Settop Boxes



QVidium IP Codecs
 QVAVC-HD , HD Encode, Digital I/O
 QVAVC-HD Lite, SD Encode, Digital I/O
 QVAVC-SD , SD Encode, Analog I/O

QVidium QVARQ-Rx

QVidium QVARQ-TxRep-SDK

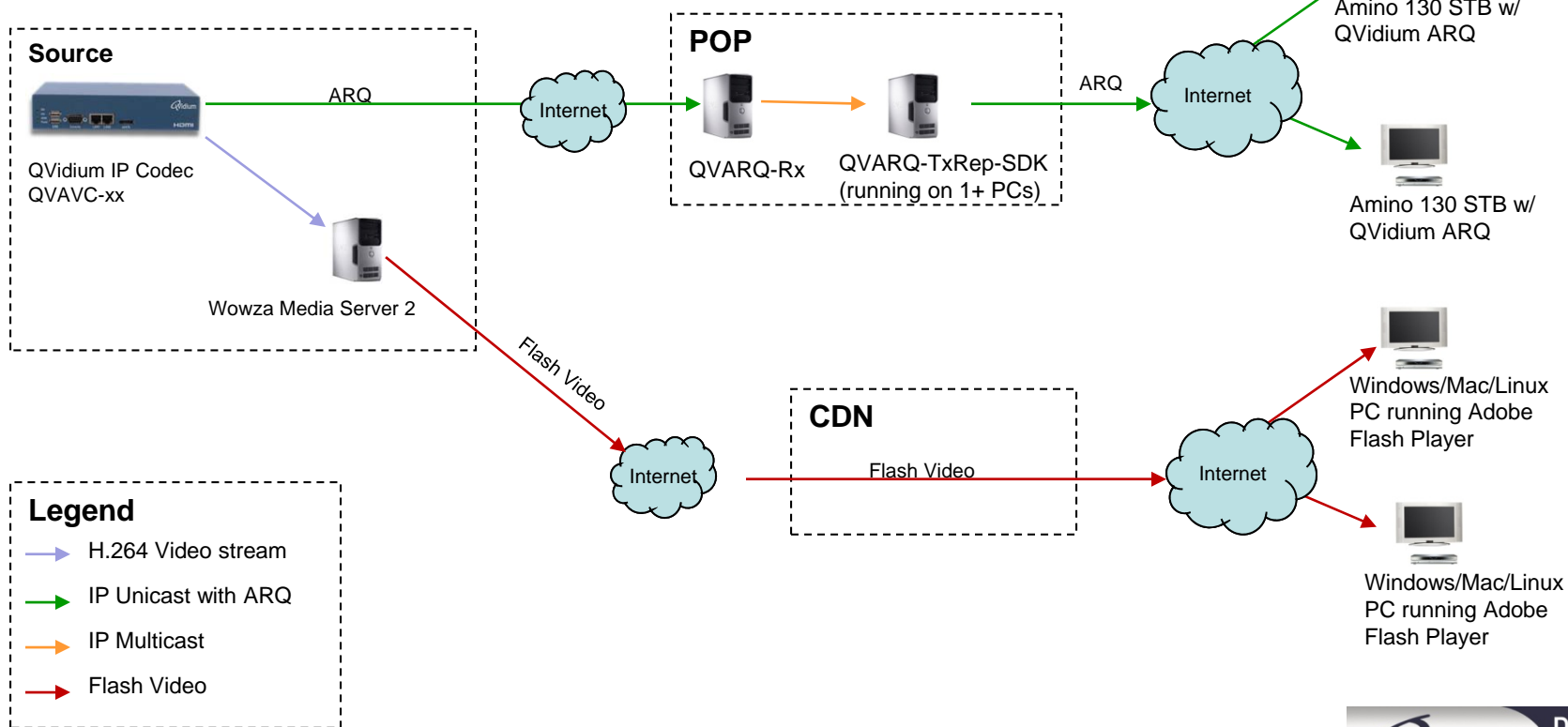
QVidium ARQ software license
 Amino 130 STB

Amino 130 STB
 see <http://www.amt.com/>

QVidium Flash/IPTV Over The Internet

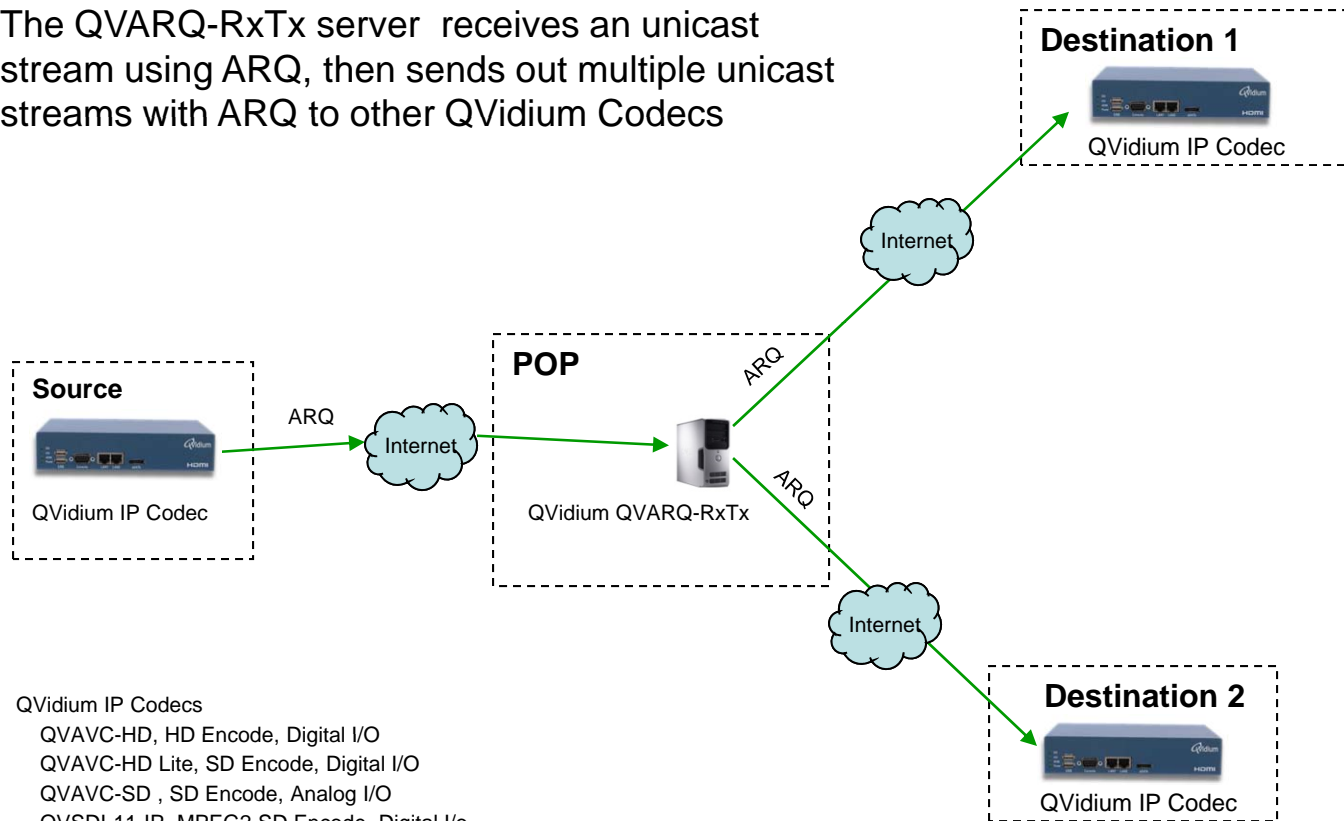
Co-locate QVidium QVARQ-Rx and 1 or more servers using QVARQ-TxRep-SDK at a POP. The QVARQ-Rx receives an unicast stream using ARQ, then 1 or more servers using QVARQ-TxRep-SDK send out multiple unicast streams with ARQ to Amino 130 Settop Boxes

QVidium QVAVC IP codec sends a H.264 video stream to a local Wowza server. The Wowza server translates the stream to Adobe Flash format. The CDN pulls the stream from the Wowza server. Users use a flash player usually embedded in a web browser to view the video from the CDN.



QVidium Media Distribution Over The Internet

Co-locate QVidium QVARQ-RxTx server at the POP.
The QVARQ-RxTx server receives an unicast stream using ARQ, then sends out multiple unicast streams with ARQ to other QVidium Codecs



- QVidium IP Codecs
 - QVAVC-HD, HD Encode, Digital I/O
 - QVAVC-HD Lite, SD Encode, Digital I/O
 - QVAVC-SD, SD Encode, Analog I/O
 - QVSDI-11-IP, MPEG2 SD Encode, Digital I/O
 - QVMP2C-1011, MPEG SD Encode, Analog I/O

QVidium QVARQ-RxTx

Video over IP Distribution Example

